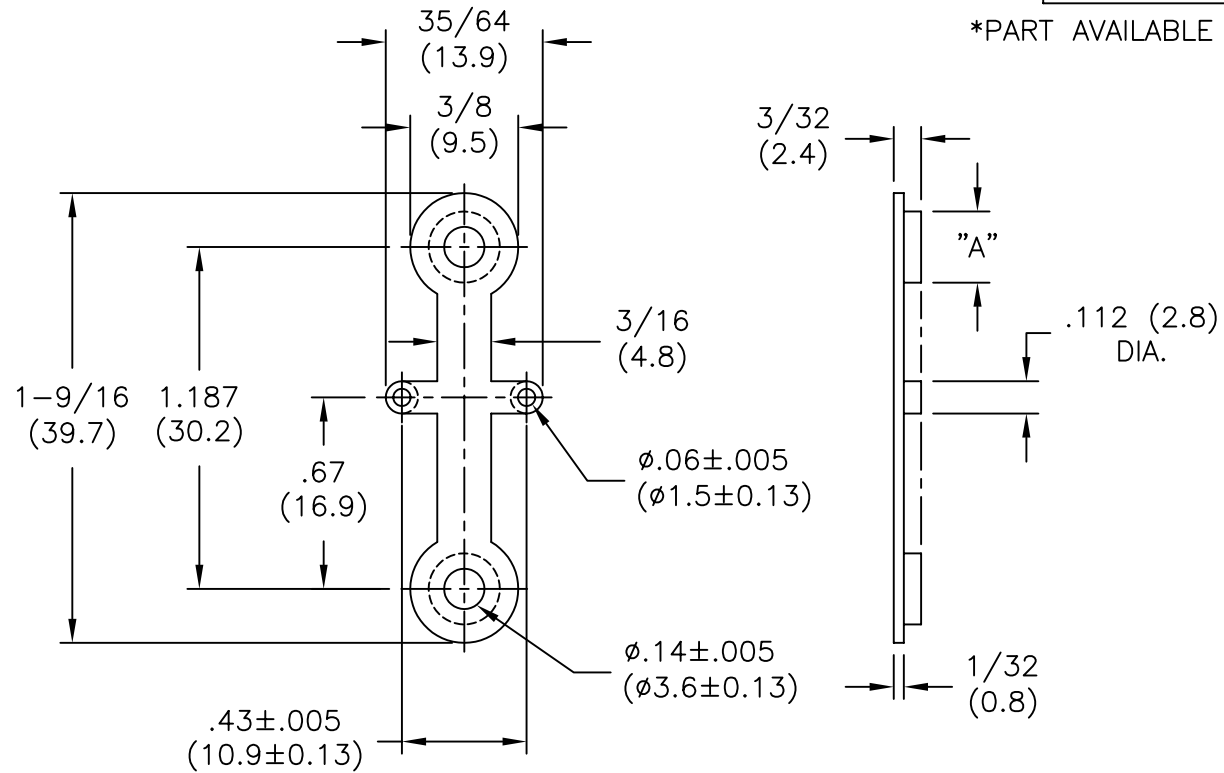


PART NO.	"A" DIA.
IEC-T03-3-18	.184 (4.7) TO FIT .187 (4.8) DIA. HOLE
*IEC-T03-4-18	.247 (6.3) TO FIT .250 (6.4) DIA. HOLE

*PART AVAILABLE BY SPECIAL ORDER ONLY



NOTES:

1. MATERIAL: GLASS FILLED NYLON (RMS-18).
2. COLOR: BLACK

TITLE: TO-3 INSULATOR, BASE			DWG IN IN (MM)		FINAL	
TOLERANCES UNLESS NOTED .XX=±.010 .XXX=±.005 FRAC=±1/64 ANG=±1°			FILE # IEC-T03	DWN: JB/PB	APP:	PART # SEE TABLE
REV			MAT'L: SEE NOTES	DT: 01/05/95	DT:	
B	SEE CO 200035 FOR CHANGES	SK 09.26.07	RE: RICHCO, INC.		RICHCO INC. PO BOX 804238, CHICAGO, 60680 (773) 539-4060	
A	UPDATED DIMENSIONS AND CHANGED FILE NO.	SM 06.19.02				
REV	DESCRIPTION	ENGR DATE				